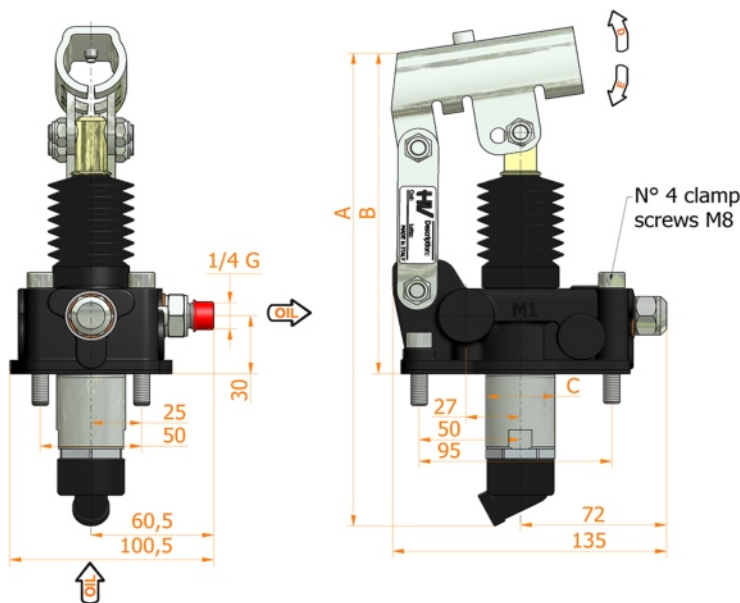
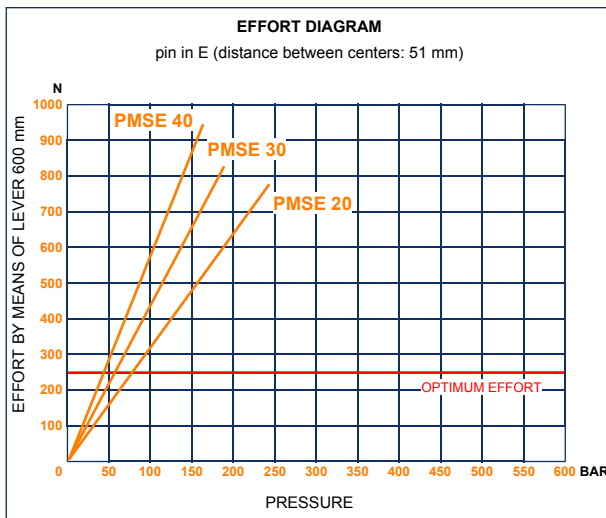
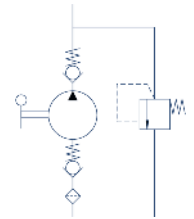




## PMSE 20-30-40 byC-e-s

without release hand knob  
with pressure relief valve  
single acting hand pump for a single acting cylinder  
for fixing to tank



### Specifications:

- Cast iron body
- Piston treated with Niploy
- White zinc plated support lever
- Lever connection Ø 27
- White zinc plated external parts
- Standard colour black
- Oil tank mounting kit included
- Pressure relief valve standard setting: 100 bar

DISPLACEMENT cm <sup>3</sup>	A mm	B mm	C mm	D °	E °	ACTUAL DISPLACEMENT cm <sup>3</sup>	PRESSURE BAR		MASS KG	CODE WITHOUT BELLOWS	CODE WITH BELLOWS
							OPTIMAL	MAX			
20	249	167	34	35	29	20,527	80	240	3,100	6067.0013	6067.0040
30	252	167	34	38	26	30,262	60	185	3,200	6068.0013	6068.0040
40	252	167	40	38	26	40,290	40	160	3,300	6069.0013	6069.0040